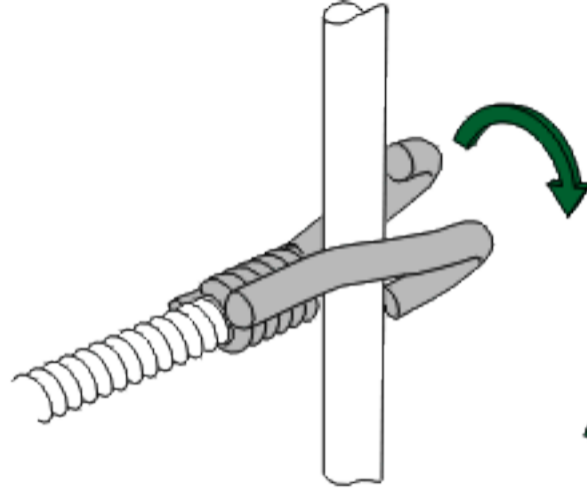
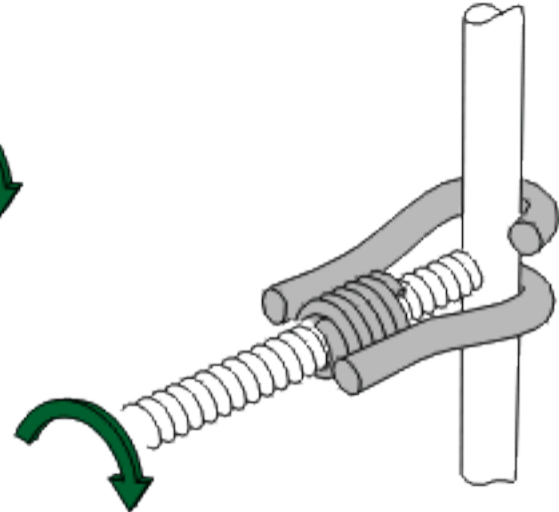


1. Push onto rebar



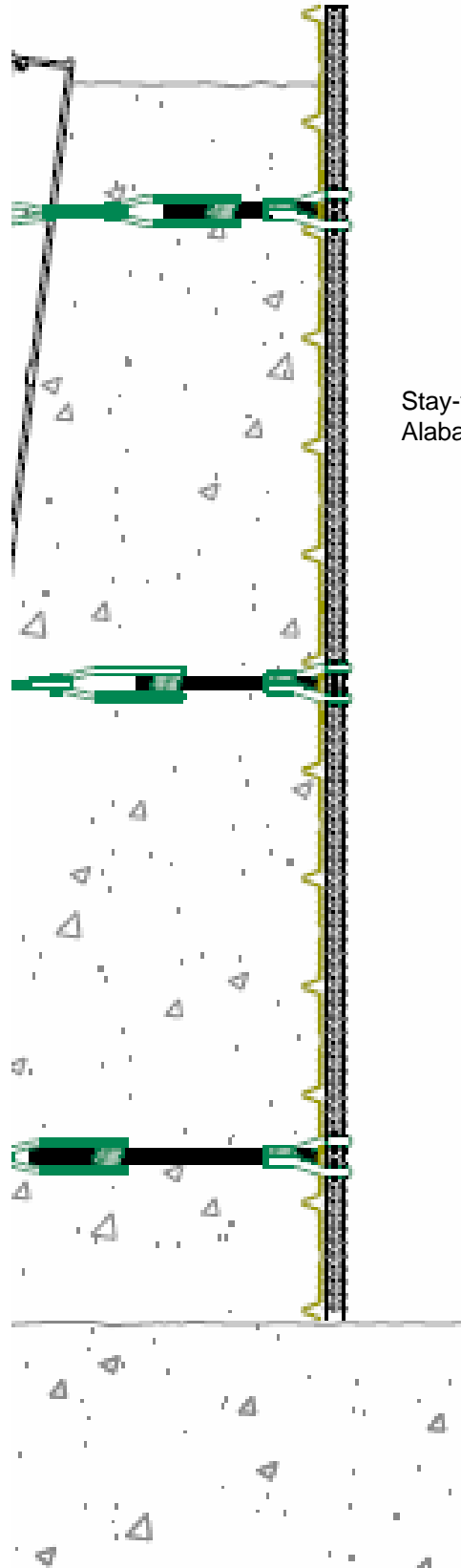
2. Twist hook



3. Tighten coil rod

Rebar-Tie

Battered Wall with "Stay-form®" Illustration



Stay-form® is a registered trademark of Alabama Metal Industries Corporation

